

## Product Specifications

### Industrial DIN-rail L3 Multi-port Ring Managed Switch Series

**IGS-6325-8T8S4X**

**IGS-6325-8T8S**

**IGS-6325-8T4X**

Version 1.0

This document contains confidential proprietary information and is property of PLANET. The contents of this document should not be disclosed to unauthorized persons without the written consent of PLANET.

Change History:

Revision	Date	Author	Change List
1.0	2019/12/05	Calvin Chao	Initial release

<b>Author</b>	Calvin Chao	<b>Editor:</b>	
<b>Reviewed by:</b>	Mark Kao	<b>Approved by:</b>	Kent Kang

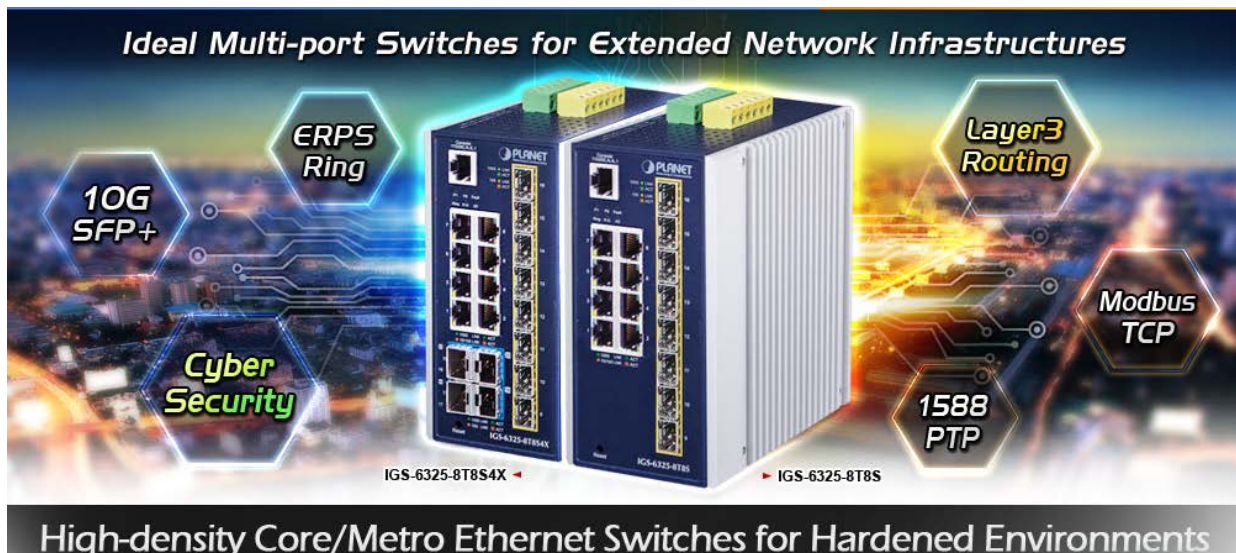
## 1. PRODUCT DESCRIPTION

### Multi 1/10G for Factory and Metropolitan Long-reach Networking

PLANET IGS-6325-8T8S and IGS-6325-8T8S4X are the smallest yet high-capacity, industrial-grade Layer 3 managed switches with high-density hybrid copper and fiber optic interfaces. Each of them features **eight 10/100/1000BASE-T RJ45 ports**, **eight 100/1000BASE-X SFP slots** and up to **four 10G SFP+ slots** in a DIN-rail type rugged case and can operate stably under the temperature range from **-40 to 75 degrees C**.

Models	10/100/1000T Copper	100/1000X SFP	1G/10G SFP+	Switch Capacity	Power Input
<b>IGS-6325-8T8S4X</b>	8	8	4	112Gbps	DC 12~48V AC 24V
<b>IGS-6325-8T8S</b>			--	32Gbps	
<b>IGS-6325-8T4X</b>		--	4	96Gbps	

They're designed to be installed in any space-limited cabinets and can be flexibly applied to extend the connection distance with multiple interfaces, thus increasing flexible network deployments and networking performance.



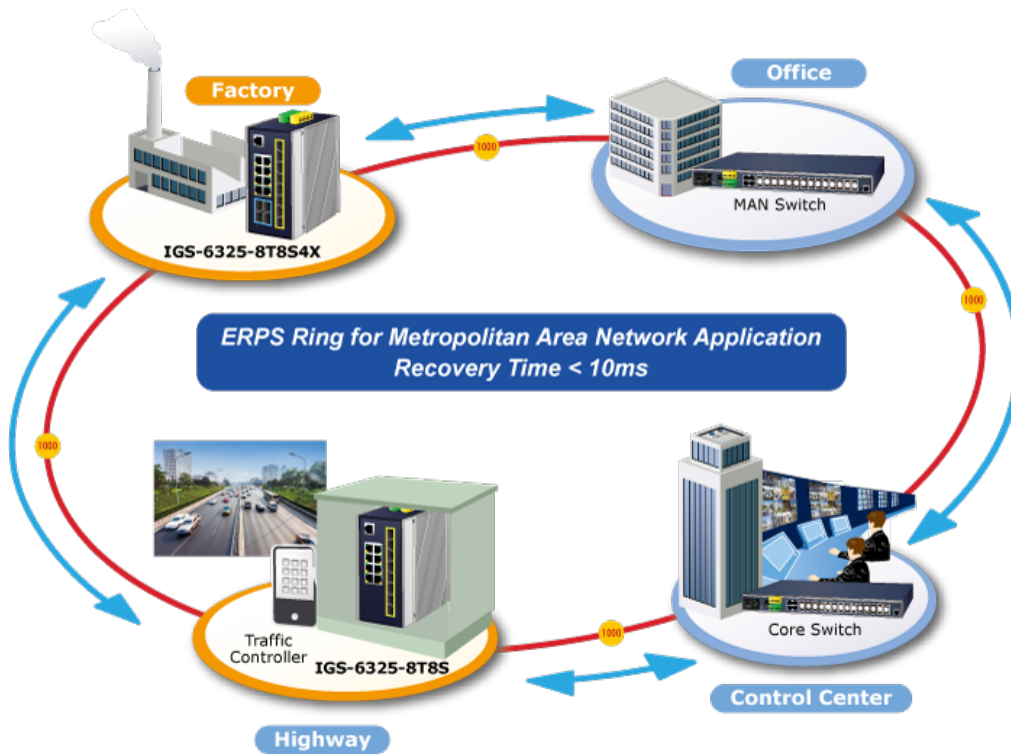
### Layer 3 Routing Support

The IGS-6325 Series enables the administrator to conveniently boost network efficiency by configuring Layer 3 IPv4/IPv6 VLAN static routing manually, and the IPv4 **OSPFv2** (Open Shortest Path First) settings automatically. The OSPF is an interior dynamic routing protocol for autonomous system based on link state. The protocol creates a database for link state by exchanging link states among Layer 3 switches, and then uses the Shortest Path First algorithm to generate a route table based on that database.

### Redundant Ring, Fast Recovery for Critical Network Applications

The IGS-6325 Series supports redundant ring technology and features strong, rapid self-recovery capability to prevent interruptions and external intrusions. It incorporates advanced **ITU-T G.8032 ERPS (Ethernet Ring Protection Switching)** technology, Spanning Tree Protocol (802.1s MSTP), and **redundant power** input system into customer's industrial automation network to enhance system reliability and uptime in harsh

factory environments. In a simple Ring network, the recovery time of data link can be as fast as 10ms.



### Network with Cybersecurity Helps Minimize Security Risks

The IGS-6325 Series comes with enhanced cybersecurity to fend off cyberthreats and cyberattacks. It supports SSHv2, TLS v1.2 and SSL protocols to provide strong protection against advanced threats. Served as a key point to transmit data over multiple long distance fiber optical connections to customer's critical equipment in a business network, the cybersecurity feature of the IGS-6325 Series protects the switch management and enhances the security of the mission-critical network without any extra deployment cost and effort.

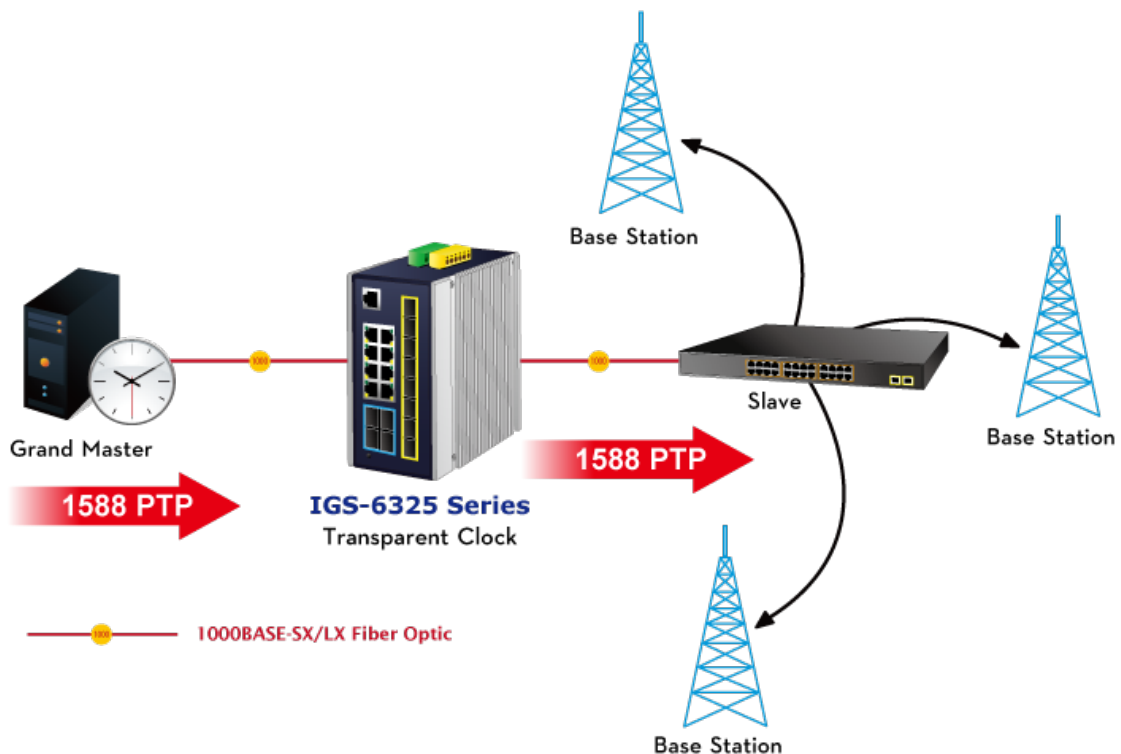


### Modbus TCP Provides Flexible Network Connectivity for Factory Automation

With the supported **Modbus TCP/IP** protocol, the IGS-6325 Series can easily integrate with **SCADA** systems, **HMI** systems and other data acquisition systems in factory floors. It enables administrators to remotely monitor the industrial Ethernet switch's **operating information, port information,** communication status, and DI and DO status, thus easily achieving enhanced monitoring and maintenance of the entire factory.

### 1588 Time Protocol for Industrial Computing Networks

The IGS-6325 Series is ideal for telecom and carrier Ethernet applications, supporting MEF service delivery and timing over packet solutions for IEEE 1588 and synchronous Ethernet.



### Redundant Power to Ensure Continuous Operation

The IGS-6325 DIN-rail series possesses dual **DC 12~48V** and **AC 24V** power supply utilized as redundant power supply to ensure its continuous operation. Its redundant power system is specifically designed to handle the demands of high-tech facilities requiring the highest power integrity.

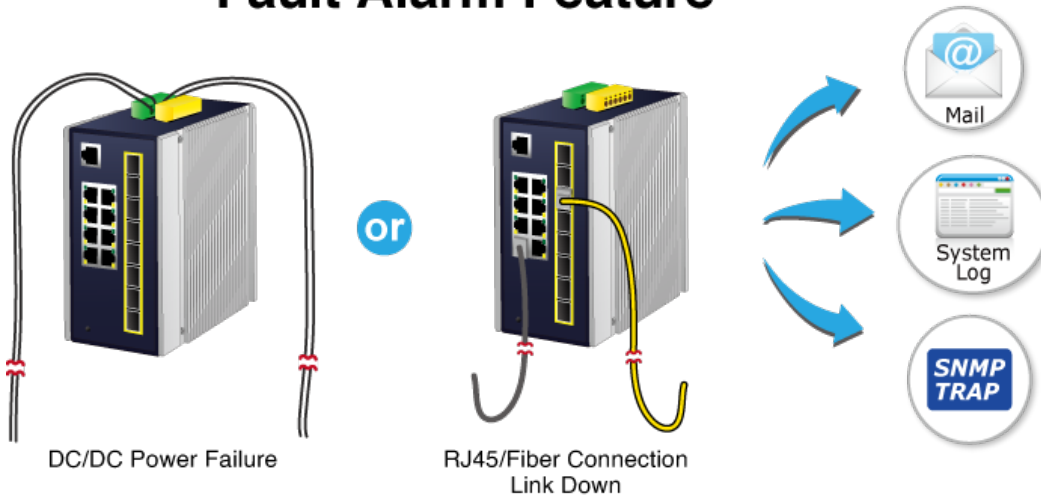
### SMTP/SNMP Trap Event Alert

The IGS-6325 Series provides event alert function to help to diagnose the abnormal device owing to whether or not there is a break of the network connection, or the rebooting response.

### Effective Alarm Alert for Better Protection

The IGS-6325 Series supports a Fault Alarm feature which can alert the users when there is something wrong with the switches. With this ideal feature, the users would not have to waste time to find where the problem is. It will help to save time and human resource.

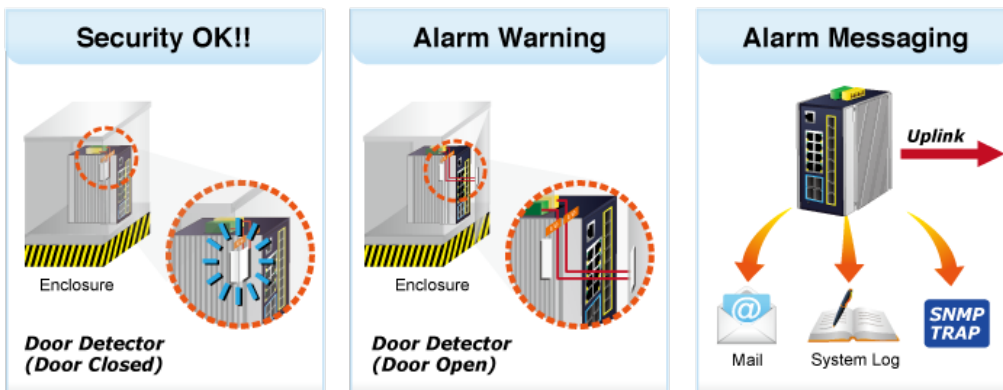
## Fault Alarm Feature



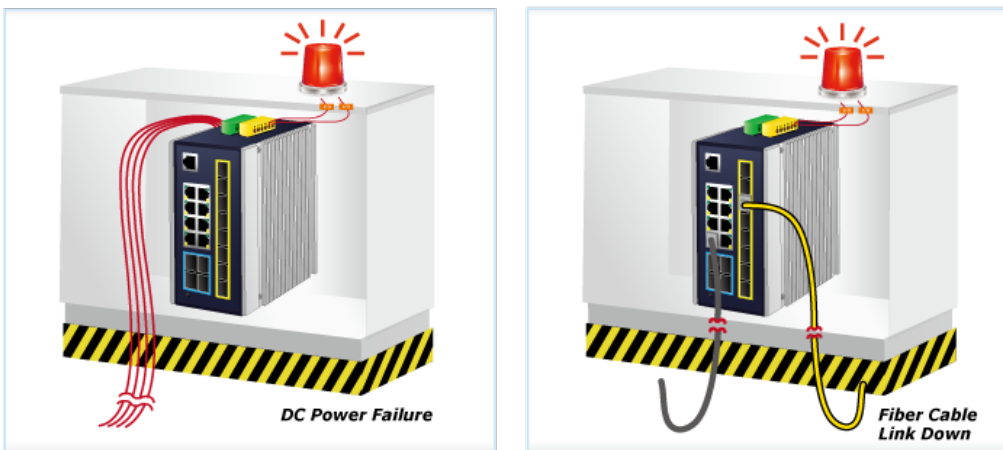
### Digital Input and Digital Output for External Alarm

The IGS-6325 Series supports Digital Input and Digital Output on its front panel. This external alarm enables users to use Digital Input to detect and log external device status (such as door intrusion detector), and send event alarm to the administrators. The Digital Output could be used to alarm the administrators if the IGS-6325 Series' port shows link down, link up or power failure.

#### Digital Input



#### Digital Output



## IPv6/IPv4 Dual Stack

Supporting both IPv6 and IPv4 protocols, the IGS-6325 Series helps data centers, campuses, telecoms, and more to experience the IPv6 era with the lowest investment as its network facilities need not be replaced or overhauled if the IPv6 FTTx edge network is set up.

## Robust Layer 2 Features

The IGS-6325 Series can be programmed for advanced Layer 2 switch management functions such as dynamic port link aggregation, 802.1Q tagged VLAN, Q-in-Q VLAN, private VLAN, Multiple Spanning Tree Protocol (MSTP), Layer 2 to Layer 4 QoS, bandwidth control, IGMP snooping and MLD snooping. Via the aggregation of supporting ports, the IGS-6325 Series allows the operation of a high-speed trunk group that comes with multiple ports and supports fail-over as well.

## Efficient Management

For efficient management, the IGS-6325 Series is equipped with console, Web and SNMP management interfaces.

- With the built-in **Web-based** management interface, the IGS-6325 series offers an easy-to-use, platform-independent management and configuration facility.
- For **text-based** management, it can be accessed via Telnet and the console port.
- For standard-based monitor and management software, it offers SNMPv3 connection which encrypts the packet content at each session for secure remote management.

## Powerful Network Security

The IGS-6325 Series offers comprehensive Layer 2 to Layer 4 **Access Control List (ACL)** for enforcing security to the edge. It can be used to restrict network access by denying packets based on source and destination IP address, TCP/UDP ports or defined typical network applications. Its protection mechanism also comprises **802.1X Port-based** and **MAC-based** user and device authentication. With the **private VLAN** function, communication between edge ports can be prevented to ensure user privacy.

## Advanced IP Network Protection

The IGS-6325 Series also provides **DHCP Snooping**, **IP Source Guard** and **Dynamic ARP Inspection** functions to prevent IP snooping from attack and discard ARP packets with invalid MAC address. The network administrators can now construct highly-secure corporate networks with considerably less time and effort than before.

## Excellent Traffic Control

The IGS-6325 Series is loaded with powerful traffic management and QoS features to enhance connection services by telecoms and ISPs. The QoS features include wire-speed Layer 4 traffic classifiers and bandwidth limit that are particularly useful for multi-tenant units, multi-business units, Telco and network service providers' applications. It also empowers the industrial environment to take full advantage of the limited network resources and guarantees the best performance in VoIP and video conferencing transmission.

### Flexible and Extendable 10Gb Ethernet Solution

10G Ethernet is a big leap in the evolution of Ethernet. Each of the 10G SFP+ slots in the IGS-6325 Series supports **dual speed** and **10GBASE-SR/LR** or **1000BASE-SX/LX**. With its 4-port, 10G Ethernet link capability and additional 8-port 1G Ethernet link capability, the administrator now can flexibly choose the suitable SFP/SFP+ transceiver according to the transmission distance or the transmission speed required to extend the network efficiently. The IGS-6325 Series provides broad bandwidth and powerful processing capacity.

### Intelligent SFP Diagnosis Mechanism

The IGS-6325 Series supports SFP-DDM (digital diagnostic monitor) function that greatly helps network administrator to easily monitor real-time parameters of the SFP and SFP+ transceivers, such as optical output power, optical input power, temperature, laser bias current, and transceiver supply voltage.

### Digital Diagnostic Monitor (DDM)



## 2. PRODUCT FEATURES

### ➤ **Physical Port**

- 8 10/100/1000BASE-T RJ45 copper ports
- 8 100/1000BASE-X SFP slots for SFP type auto detection (for IGS-6325-8T8S and IGS-6325-8T8S4X)
- 4 10GBASE-SR/LR SFP+ slots, compatible with 1000BASE-X SFP(IGS-6325-8T4X and IGS-6325-8T8S4X)
- One RJ45-to-RS232 console interface for basic management and setup

### ➤ **Industrial Hardened Design**

- Dual power input, redundant power with reverse polarity protection
  - DC 12 to 48V input or AC 24V input
  - Active-active redundant power failure protection
  - Backup of catastrophic power failure on one supply
  - Fault tolerance and resilience
- DIN-rail and wall-mountable designs
- IP30 aluminum case
- Supports 6000V DC Ethernet ESD protection
- -40 to 75 degrees C operating temperature

### ➤ **Digital Input and Digital Output**

- 2 Digital Input (DI)
- 2 Digital Output (DO)
- Integrates sensors into auto alarm system
- Transfers alarm to IP network via email and SNMP trap

### ➤ **Layer 3 IP Routing Features**

- IP dynamic routing protocol supports OSPFv2
- IPv4/IPv6 hardware static routing
- Routing interface provides per VLAN routing mode

### ➤ **Layer 2 Features**

- High performance of Store-and-Forward architecture, and runt/CRC filtering eliminates erroneous packets to optimize the network bandwidth
- Storm control support
  - Broadcast/Multicast/Unknown unicast
- Supports **VLAN**
  - IEEE 802.1Q tagged VLAN



- Up to 255 VLANs groups, out of 4095 VLAN IDs
- Supports provider bridging (VLAN Q-in-Q IEEE 802.1ad)
- Private VLAN Edge (PVE)
- Protocol-based VLAN
- MAC-based VLAN
- Voice VLAN
- GVRP (GARP VLAN Registration Protocol)

■ Supports **Spanning Tree Protocol**

- IEEE 802.1D Spanning Tree Protocol (STP)
- IEEE 802.1w Rapid Spanning Tree Protocol (RSTP)
- IEEE 802.1s Multiple Spanning Tree Protocol (MSTP), spanning tree by VLAN
- BPDU Guard

■ Supports **Link Aggregation**

- 802.3ad Link Aggregation Control Protocol (LACP)
- Cisco ether-channel (static trunk)
- Maximum 14 trunk groups, with 16 ports for each trunk
- Up to 80Gbps bandwidth (full duplex mode)

■ Provides port mirror (many-to-1)

■ Port mirroring to monitor the incoming or outgoing traffic on a particular port

■ Loop protection to avoid broadcast loops

■ Link Layer Discovery Protocol (LLDP)

■ Compatible with Cisco uni-directional link detection(UDLD) that monitors a link between two switches and blocks the ports on both ends of the link if the link fails at any point between the two devices

■ Supports G.8032 ERPS (Ethernet Ring Protection Switching)

■ IEEE 1588 and Synchronous Ethernet network timing

➤ **Quality of Service**

■ Ingress shaper and egress rate limit per port bandwidth control

■ 8 priority queues on all switch ports

■ Traffic classification

- IEEE 802.1p CoS
- ToS/DSCP/IP Precedence of IPv4/IPv6 packets
- IP TCP/UDP port number
- Typical network application

■ Strict priority and Weighted Round Robin (WRR) CoS policies

■ Traffic-policing on the switch port

■ DSCP remarking

■ Voice VLAN

➤ **Multicast**

- Supports IPv4 IGMP snooping v1, v2 and v3
- Supports IPv6 MLD snooping v1 and v2
- Querier mode support
- IPv4 IGMP snooping port filtering
- IPv6 MLD snooping port filtering
- MVR (Multicast VLAN Registration)

➤ **Security**

- Authentication
  - IEEE 802.1x port-based/MAC-based network access authentication
  - IEEE 802.1x authentication with guest VLAN
  - Built-in RADIUS client to cooperate with the RADIUS servers
  - RADIUS/TACACS+ users access authentication
  - Guest VLAN assigns clients to a restricted VLAN with limited services
- Access Control List
  - IP-based Access Control List (ACL)
  - MAC-based Access Control List (ACL)
- Source MAC/IP address binding
- DHCP Snooping to filter distrusted DHCP messages
- Dynamic ARP Inspection discards ARP packets with invalid MAC address to IP address binding
- IP Source Guard prevents IP spoofing attacks
- IP address access management to prevent unauthorized intruder

➤ **Management**

- IPv4 and IPv6 dual stack management
- Switch Management Interfaces
  - Console and Telnet Command Line Interface
  - HTTP web switch management
  - SNMP v1 and v2c switch management
  - SSH, TLS, SSL and SNMP v3 secure access
- SNMP Management
  - Four RMON groups (history, statistics, alarms, and events)
  - SNMP trap for interface Link Up and Link Down notification
- IPv6 IP address/NTP/DNS management
- Built-in Trivial File Transfer Protocol (TFTP) client
- BOOTP and DHCP for IP address assignment
- System Maintenance
  - Firmware upload/download via HTTP
  - Reset button for system reboot or reset to factory default

- Dual images
- DHCP Relay
- DHCP Option 82
- DHCP Server
- User Privilege levels control
- Network Time Protocol (NTP)
- Network Diagnostic
  - SFP-DDM (Digital Diagnostic Monitor)
  - Cable diagnostic technology provides the mechanism to detect and report potential cabling issues
  - ICMPv6/ICMPv4 remote ping
- SMTP/Syslog remote alarm
- System Log
- PLANET Smart Discovery Utility for deployment management

### 3. PRODUCT SPECIFICATIONS

#### 3.1 MAIN COMPONENTS

Models	IGS-6325-8T8S	IGS-6325-8T8S4X	IGS-6325-8T4X
Switch ASIC	Microchip VSC7442	Microchip VSC7448	
CPU	500MHz MIPS 24KEc CPU (integrated with VSC7442/VSC7448)		
Gigabit PHY	Microchip VSC8514XMK-14 x 2		
Flash Size	64M bytes		
DRAM Size	512Mbytes		

#### 3.2 FUNCTION SPECIFICATIONS

Product	IGS-6325-8T8S	IGS-6325-8T8S4X	IGS-6325-8T4X
<b>Hardware Specifications</b>			
Copper Ports	8 10/100/1000BASE-T RJ45 auto-MDI/MDI-X ports		
SFP Ports	8 100/1000BASE-X SFP slot interfaces (Port-9 to Port-16) Compatible with 100BASE-FX SFP transceiver		--
SFP+ Ports	--	4 10GbBASE-SR/LR SFP+ slot interfaces Compatible with 1000BASE-SX/LX/BX SFP transceiver	
Console	1 x RJ45-to-RS232 serial port (115200, 8, N, 1)		
Switch Architecture	Store-and-Forward		
Switch Fabric	32Gbps/non-blocking	112Gbps/non-blocking	96Gbps/non-blocking
Throughput	23.81Mpps@64Bytes	83.33Mpps@64Bytes	71.43Mpps@64Bytes
Address Table	16K entries, automatic source address learning and aging		
Shared Data Buffer	32Mbits		
Jumbo Frame	10K bytes		
SDRAM	512Mbytes		
Flash Memory	64Mbytes		
Flow Control	IEEE 802.3x pause frame for full duplex Back pressure for half duplex		
Reset Button	< 5 sec: System reboot > 5 sec: Factory default		
Connector	Removable 6-pin terminal block for power input Pin 1/2 for Power 1, Pin 3/4 for fault alarm, Pin 5/6 for Power 2 Removable 6-pin terminal block for DI/DO interface Pin 1/2 for DI 1 & 2, Pin 3/4 for DO 1 & 2, Pin 5/6 for GND		
Alarm	One relay output for power failure. Alarm relay current carry ability: 1A @ 24V DC		
Digital Input (DI)	2 digital input:		

	Level 0: -24~2.1V ( $\pm 0.1V$ ) Level 1: 2.1~24V ( $\pm 0.1V$ ) Input load to 24V DC, 10mA max.		
<b>Digital Output (DO)</b>	2 digital output: Open collector to 24VDC, 100mA		
<b>Enclosure</b>	IP30 aluminum case		
<b>Installation</b>	DIN-rail or wall mounting		
<b>Dimensions (W x D x H)</b>	76 x 107 x 152 mm		
<b>Weight</b>	1,065g	1,250g	1,020g
<b>Power Requirements</b>	DC 12~48V, 4A max.		
	AC 24V, 1.5A max.		
<b>Power Consumption</b>	DC input: Max. 9.12 watts/32BTU (system on) Max. 37.68 watts/129 BTU (Full loading)	DC input: Max. 12 watts/41BTU (system on) Max. 43.44 watts/148.2 BTU (Full loading, RJ45-SFP)	DC input: Max. 10 watts/35BTU (system on) Max. 39 watts/133 BTU (Full loading)
	AC 24V input: Max. 12 watts/41BTU (system on) Max. 35.24 watts/120BTU (Full loading)	AC 24V input: Max. 13 watts/45BTU (system on) Max. 41 watts/140BTU (Full loading)	AC 24V input: Max. 12 watts/41BTU (system on) Max. 37 watts/126BTU (Full loading)
<b>ESD Protection</b>	6KV DC		
<b>Surge Protection</b>	4KV DC		
<b>LED Indicators</b>	<p><b>System:</b></p> Power 1 (Green), Power 2 (Green) Fault Alarm (Red) Ring (Green), Ring Owner (Green) DIDO (Red) <p><b>Per 10/100/1000T RJ45 Port:</b></p> 1000Mbps LNK/ACT (Green) 10/100Mbps LNK/ACT (Amber) <p><b>Per SFP Port:</b></p> 1000Mbps LNK/ACT (Green) 100Mbps LNK/ACT (Amber) <p><b>Per SFP+ Port:</b></p> 10Gbps LNK/ACT (Amber) 1Gbps LNK/ACT (Green)		
<b>Layer 2 Functions</b>			
<b>Port Configuration</b>	Port disable/enable Auto-negotiation 10/100/1000Mbps full and half duplex mode selection		

	Flow control disable/enable Port link capability control
<b>Port Status</b>	Display each port's speed duplex mode, link status, flow control status, auto-negotiation status, trunk status
<b>Port Mirroring</b>	TX/RX/Both Many-to-1 monitor
<b>VLAN</b>	802.1Q tagged VLAN Q-in-Q tunneling Private VLAN Edge (PVE) MAC-based VLAN Protocol-based VLAN Voice VLAN IP Subnet-based VLAN MVR (Multicast VLAN registration) GVRP Up to 256 VLAN groups, out of 4095 VLAN IDs
<b>Link Aggregation</b>	IEEE 802.3ad LACP/static trunk 14 trunk groups with 16 port per trunk group
<b>Spanning Tree Protocol</b>	IEEE 802.1D Spanning Tree Protocol IEEE 802.1w Rapid Spanning Tree Protocol IEEE 802.1s Multiple Spanning Tree Protocol
<b>IGMP Snooping</b>	IPv4 IGMP (v1/v2/v3) snooping IPv4 IGMP querier mode support Supports 255 IGMP groups
<b>MLD Snooping</b>	IPv6 MLD (v1/v2) snooping, IPv6 MLD querier mode support Supports 255 MLD groups
<b>Access Control List</b>	IP-based ACL/MAC-based ACL ACL based on: <ul style="list-style-type: none"> <li>- MAC Address</li> <li>- IP Address</li> <li>- Ethertype</li> <li>- Protocol Type</li> <li>- VLAN ID</li> <li>- DSCP</li> <li>- 802.1p Priority</li> </ul> Up to 256 entries
<b>Bandwidth Control</b>	Per port bandwidth control Ingress: 100Kbps~1000Mbps Egress: 100Kbps~1000Mbps
<b>QoS</b>	Traffic classification based, strict priority and WRR

	8-level priority for switching: <ul style="list-style-type: none"> <li>- Port number</li> <li>- 802.1p priority</li> <li>- 802.1Q VLAN tag</li> <li>- DSCP/ToS field in IP packet</li> </ul>
<b>Synchronization</b>	IEEE 1588v2 PTP(Precision Time Protocol) <ul style="list-style-type: none"> <li>- Peer-to-peer transparent clock</li> <li>- End-to-end transparent clock</li> </ul>
<b>Layer 3 Functions</b>	
<b>IP Interfaces</b>	Max. 128 VLAN interfaces
<b>Routing Table</b>	Max. 128 routing entries
<b>Routing Protocols</b>	IPv4 hardware static routing IPv6 hardware static routing OSPFv2 dynamic routing
<b>Management</b>	
<b>Basic Management Interfaces</b>	Console; Telnet; Web browser; SNMP v1, v2c
<b>Secure Management Interfaces</b>	SSHv1/v2, TLS v1.1/v1.2, SSL, SNMPv3
<b>System Management</b>	Firmware upgrade by HTTP protocol through Ethernet network Configuration upload/download through HTTP Remote Syslog System log LLDP protocol NTP PLANET Smart Discovery Utility
<b>SNMP MIBs</b>	RFC 1213 MIB-II RFC 1493 Bridge MIB RFC 1643 Ethernet MIB RFC 2863 Interface MIB RFC 2665 Ether-Like MIB RFC 2819 RMON MIB (Group 1, 2, 3 and 9) RFC 2737 Entity MIB RFC 2618 RADIUS Client MIB RFC 2863 IF-MIB RFC 2933 IGMP-STD-MIB RFC 3411 SNMP-Frameworks-MIB RFC 4292 IP Forward MIB RFC 4293 IP MIB RFC 4836 MAU-MIB IEEE 802.1X PAE LLDP
<b>Standards Conformance</b>	

<b>Regulatory Compliance</b>	FCC Part 15 Class A CE: EN55032 EN55035
<b>Stability Testing</b>	IEC60068-2-32 (free fall) IEC60068-2-27 (shock) IEC60068-2-6 (vibration)
<b>Standards Compliance</b>	IEEE 802.3 10BASE-T IEEE 802.3u 100BASE-TX/100BASE-FX IEEE 802.3z Gigabit SX/LX IEEE 802.3ab Gigabit 1000T IEEE 802.3ae 10Gb/s Ethernet IEEE 802.3x flow control and back pressure IEEE 802.3ad port trunk with LACP IEEE 802.1D Spanning Tree Protocol IEEE 802.1w Rapid Spanning Tree Protocol IEEE 802.1s Multiple Spanning Tree Protocol IEEE 802.1p Class of Service IEEE 802.1Q VLAN tagging IEEE 802.1X Port Authentication Network Control IEEE 802.1ab LLDP IEEE 802.3ah OAM IEEE 802.1ag Connectivity Fault Management (CFM) RFC 768 UDP RFC 793 TFTP RFC 791 IP RFC 792 ICMP RFC 2068 HTTP RFC 1112 IGMP v1 RFC 2236 IGMP v2 RFC 3376 IGMP v3 RFC 2710 MLD v1 RFC 3810 MLD v2 RFC 2328 OSPF v2 ITU-T G.8032 ERPS Ring ITU-T Y.1731 Performance Monitoring
<b>Environment</b>	
<b>Operating</b>	-40 ~ 75 degrees C
<b>Storage</b>	-40 ~ 85 degrees C
<b>Humidity</b>	5 ~ 95% (non-condensing)



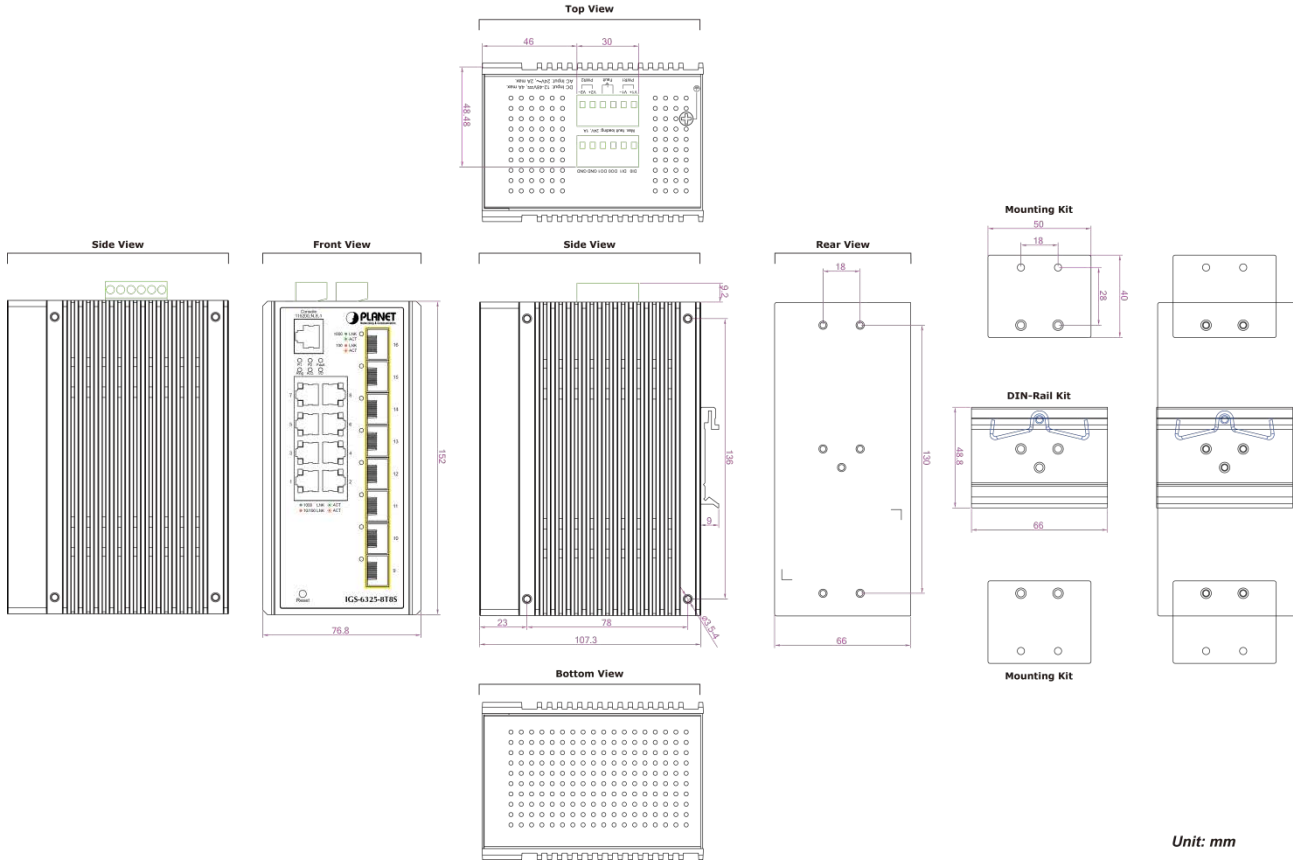
### 3.3 PHYSICAL SPECIFICATIONS:

#### Dimensions:

76.8 x 107 x 152 mm (W x D x H)

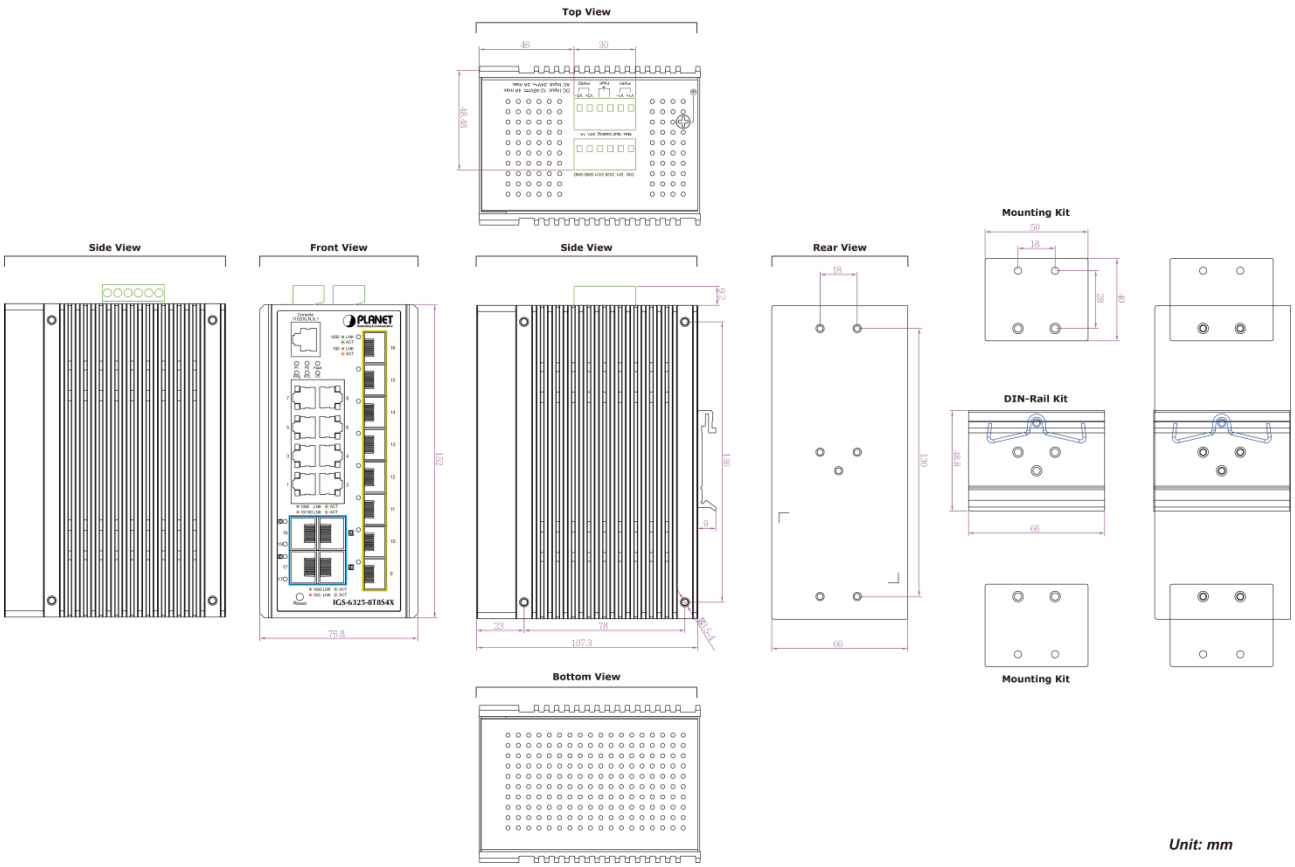
#### Drawing:

■ IGS-6325-8T8S

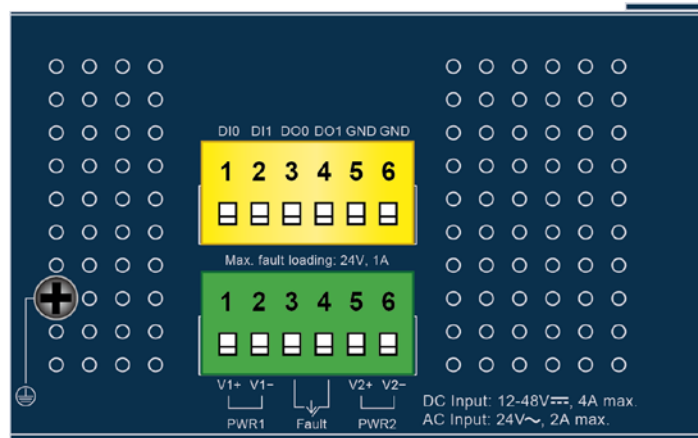


Unit: mm

■ **IGS-6325-8T8S4X**



**Top View**



**Front View**



**IGS-6325-8T8S**

**IGS-6325-8T8S4X**

**IGS-6325-8T4X**

**LED Definition:**
**■ System**

LED	Color	Function	
R.O.*	Green	Lights to indicate Ring Owner is enabled.	
Ring	Green	Lights to indicate that the ERPS Ring has been created successfully.	
DIDO	Red	Blinking	Indicating the DI and DO events
		Off:	No event
FAULT	Red	Lit:	Indicating power failure or port problem.
		Off:	No failure
PWR2	Green	Lit:	Power 2 is activated.
		Off:	Power 2 is not activated.
PWR1	Green	Lit:	Power 1 is activated.
		Off:	Power 1 is not activated.

**■ Per 10/100/1000Mbps RJ45 port (Port-1 ~ Port-8)**

LED	Color	Function	
1000 LNK/ACT	Green	Lights:	To indicate the port is running at 1000Mbps speed and successfully established.
		Blinking:	To indicate that the switch is actively sending or receiving data over that port.
10/100 LNK/ACT	Amber	Lights:	To indicate the port is running at 10/100Mbps speed and successfully established.
		Blinking:	To indicate that the switch is actively sending or receiving data over that port.

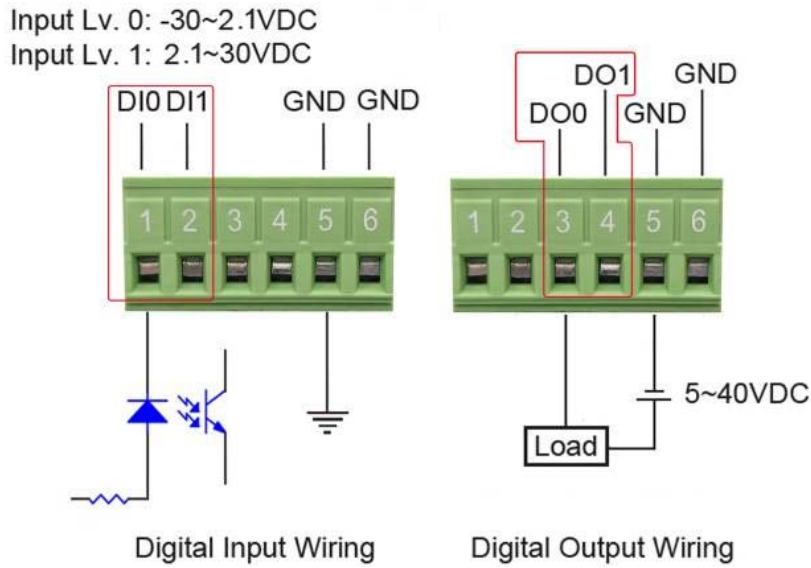
**■ Per 100/1000BASE-X SFP Interface**

LED	Color	Function	
1000 LNK/ACT	Green	Lights.	To indicate the port is successfully established at 1000Mbps.
		Blinking :	To indicate that the Switch is actively sending or receiving data over that port.
100 LNK/ACT	Orange	Lights:	To indicate the port is successfully established at 100Mbps.
		Blinking :	To indicate that the Switch is actively sending or receiving data over that port.

**■ Per 10GBASE-SR/LR SFP+ port**

LED	Color	Function	
1000 LNK/ACT	Green	Lights	To indicate the port is running at <b>1000Mbps</b> speed.
		Blinking	To indicate that the switch is actively sending or receiving data over that port.
10G LNK/ACT	Orange	Lights	To indicate the port is running at 10Gbps speed and successfully established.

■ **DI/DO connector:**



### 3.4 ENVIRONMENTAL SPECIFICATIONS

**Operating:**

**Temperature:** -40 ~75 degrees C

**Relative Humidity:** 5% ~ 95% (non-condensing)

**Storage:**

**Temperature:** -40 ~85 degrees C

**Relative Humidity:** 5% ~ 95% (non-condensing)

### 3.5 ELECTRICAL SPECIFICATIONS

**Power Requirements:**

DC 12~48V and AC 24V, redundant power with reverse polarity protection

**Power Consumption:**

LOADING	System on without any devices attached			Ethernet Full Loading (RJ45-SFP)		
	IGS-6325-8T8S	IGS-6325-8T8S4X	IGS-6325-8T4X	IGS-6325-8T8S	IGS-6325-8T8S4X	IGS-6325-8T4X
<b>DC 12V</b>	8.4W	10.8W	9W	37.7W	43.44W	39.5W
<b>DC 24V</b>	8.16W	11.28W	10.3W	30.2W	36.00W	32.0W
<b>DC 48V</b>	9.12W	12W	11W	33.6W	39.36W	35.4W
<b>AC 24V</b>	12W	13W	12W	32.2W	38W	34W

\* The maximum full loading is tested with RJ45-to-SFP transceivers.

### 3.6 REGULATORY COMPLIANCE

FCC Part 15 Class A

**CE:**

- EN55032
- EN55035

**Stability Testing:**

- IEC 60068-2-32 (Free Fall)
- IEC 60068-2-27 (Shock)
- IEC 60068-2-6 (Vibration)

### 3.7 RELIABILITY

MTBF > 100,000hrs @ 25 degrees C

### 3.8 BASIC PACKAGING

Models	IGS-6325-8T8S	IGS-6325-8T8S4X	IGS-6325-8T4X
<input checked="" type="checkbox"/> The Industrial Managed Switch	x 1	x 1	x 1
<input checked="" type="checkbox"/> Quick Installation Guide	x 1	x 1	x 1
<input checked="" type="checkbox"/> RJ45-to-DB9 RS232 cable	x 1	x 1	x 1
<input checked="" type="checkbox"/> DIN-rail Kit	x 1	x 1	x 1
<input checked="" type="checkbox"/> Wall Mounting Kit	x 1	x 1	x 1
<input checked="" type="checkbox"/> RJ45 Dust Cap	x 9	x 9	x 9
<input checked="" type="checkbox"/> SFP Dust Cap	x 8	x 12	x 4

### 3.9 PACKING INFORMATION

Models	IGS-6325-8T8S	IGS-6325-8T8S4X	IGS-6325-8T4X
<b>Box Dimensions (W x D x H):</b>	<b>300 x 170 x 90 mm</b>		
<b>Gross Weight:</b>	<b>1.54 kg</b>	<b>1.59 kg</b>	<b>1.4 kg</b>
<b>Carton Dimensions (W x D x H):</b>	<b>385 x 340 x 490 mm</b>		
<b>Total Weight:</b>	<b>16.2 kg</b>	<b>16.7 kg</b>	<b>14.7 kg</b>
<b>Quantity:</b>	<b>10pcs in one carton</b>		